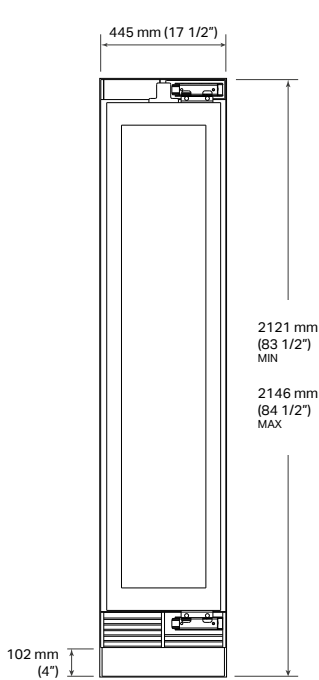
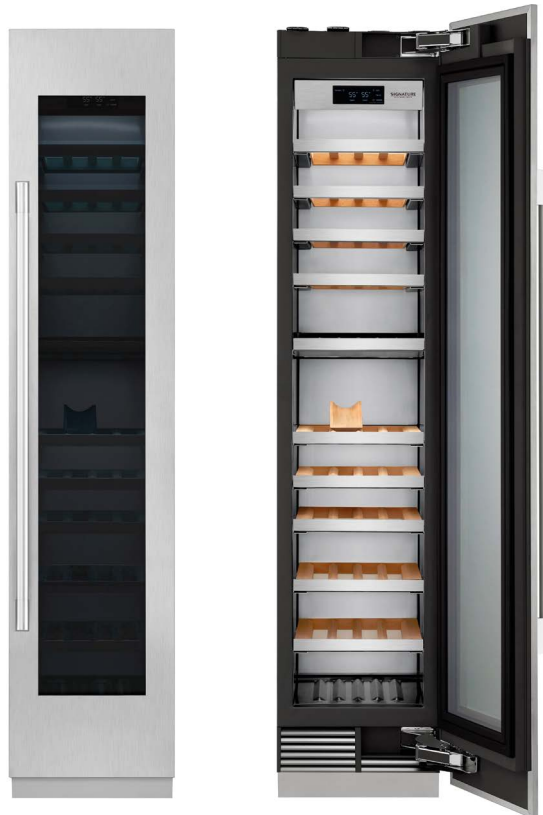
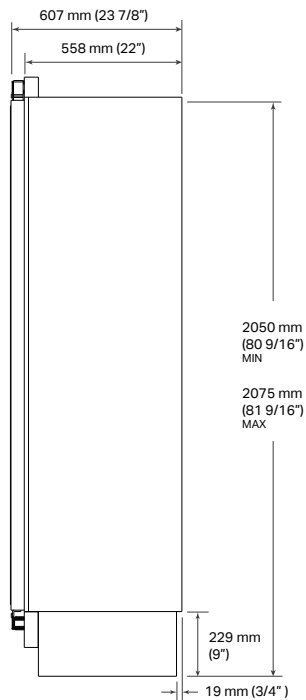


SKSCW182RP

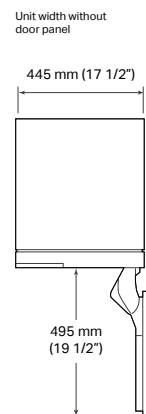
# Integrated column wine cellar 18"



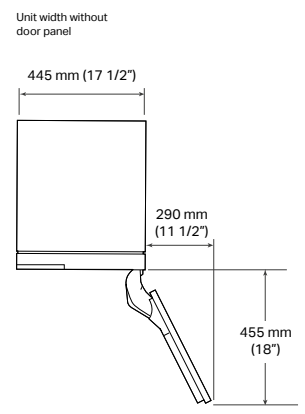
FRONT VIEW



SIDE VIEW



90° DOOR OPENING



115° DOOR OPENING

## SKSCW182RP

<b>Model</b>	EAN: 8806091454980
<b>Door type</b>	Panel ready
<b>Hinges</b>	Plat
<b>Internal finish</b>	Stainless steel
<b>Energy Label</b>	
<b>Energy efficiency class</b>	G
<b>Bottle Capacity (750 ml)</b>	71
<b>Maximum sound level</b>	< 37 dbA Max
<b>Yearly total energy consumption (kW/h)</b>	165
<b>Climate class</b>	SN-T
<b>General Properties</b>	
<b>No-Frost</b>	•
<b>Inverter Linear compressor</b>	•
<b>Wi-Fi enabled for SmartThinQ® control with iOS/Android app</b>	•
<b>InstaView™ Window (Knock Twice to See Inside)</b>	•
<b>Wine Cave Technology™</b>	•
<b>Temperature zones</b>	2
<b>Operating temperatures</b>	from 5°C to 18°C
<b>Functions that can be enabled from the control panel</b>	Humidity, Lighting, Demo, Power On / Off, Temp Control, Smart Diagnosis™, Wi-Fi
<b>Humidity Control</b>	•
<b>High Altitude Compatibility</b>	•
<b>Anti-vibration motor</b>	•
<b>UV Protection</b>	•
<b>Storage shelves</b>	10
<b>Shelf material</b>	Natural beech wood with stainless steel profiles
<b>Presenter Shelves</b>	1
<b>True-View® Lighting</b>	•
<b>Presenter Shelf Lighting</b>	•
<b>Installation</b>	
<b>Reversible Door</b>	•
<b>Four point front adjustable with 6 wheels</b>	•
<b>Attachment method to cabinetry</b>	Top with no visible screws
<b>Front Serviceable</b>	•
<b>Anti-tip Bracket Included</b>	•
<b>Technical Specifications</b>	
<b>Required power supply</b>	230 V, 50 Hz
<b>Power cord length</b>	2197 mm (86.4")
<b>Plug type</b>	A 3
<b>Overall width</b>	445 mm (17 1/2")
<b>Overall height</b>	2121 mm (83 1/2") MIN ~ 2146 mm (84 1/2") MAX
<b>Overall depth</b>	607 mm (23 7/8")
<b>Net weight</b>	139 kg
<b>Shipping weight</b>	160 kg
<b>Max packaged product dimensions</b>	2290x504x678 mm
<b>Accessories</b>	
<b>Stainless steel panel / handle / toe kick kit</b>	SKSWK185RS (RIGHT HINGE, LEFT HANDLE) SKSWK185LS (LEFT HINGE, RIGHT HANDLE)
<b>Side wall cover kit in case of non-flush installation</b>	SKSFK800CS
<b>Joining kit for dual installation</b>	SKSFJ800P
<b>Medium brushed Aluminium Handle – 805 mm</b>	SKSHK310HS
<b>Long brushed Aluminium Handle – 1,218 mm</b>	SKSHK480HS

# SKSCW182RP

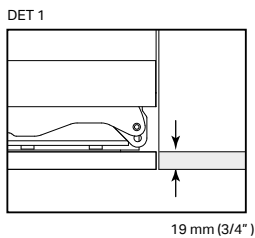
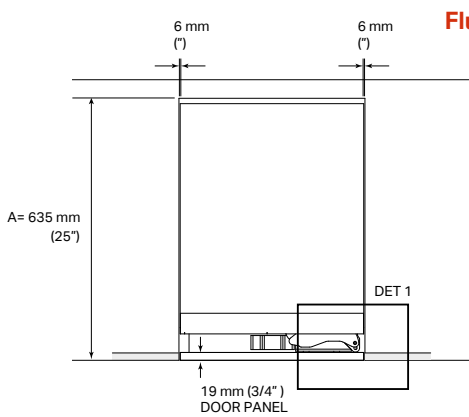
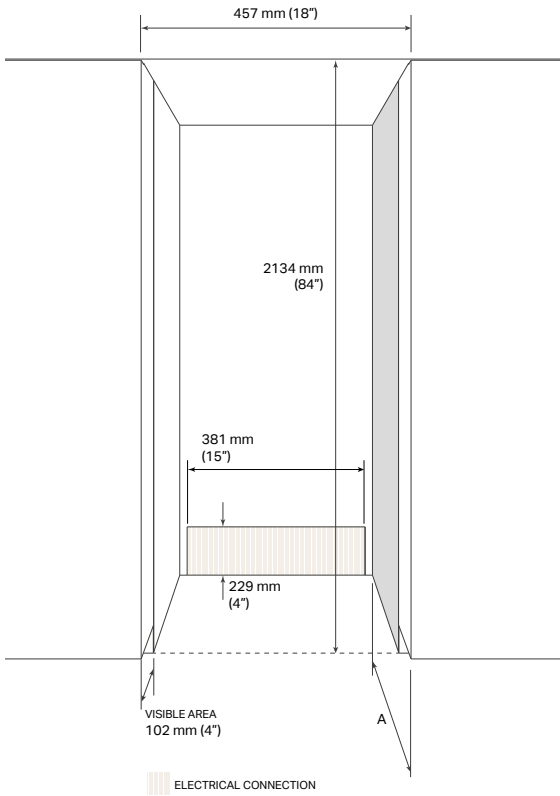
## Installation Notes

### Electrical

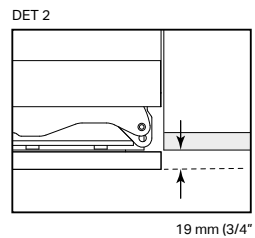
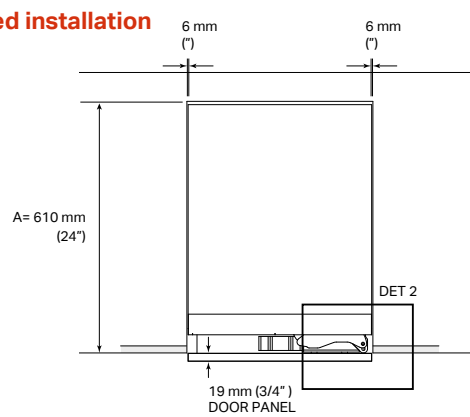
230V, 50Hz, 15 or 20° power supply required. It is recommended to set up a three-prong receptacle recessed into the wall and properly earthed, equipped with an individual circuit.

### Visible area

The indicated area (102 mm) is visible once the refrigerator doors are opened, this area should be finished on both sides.



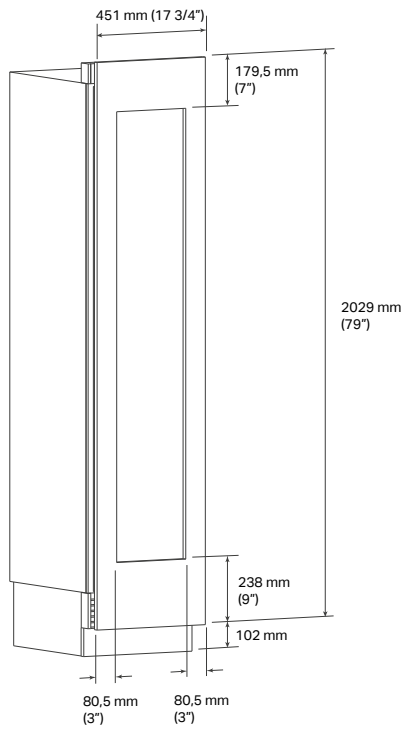
TOP VIEW  
FLUSH INSTALLATION



TOP VIEW  
EXTENDED INSTALLATION

## SKSCW182RP

### Custom panels



### Panel options

**SKSWK185RS: Kit with right hinge stainless steel panel**

**SKSWK185LS: Kit with left hinge stainless steel panel**

The appliance can be panelled with the optional Signature Kitchen Suite stainless steel door kit. The kit includes one door panel, one toe kick and one Long handle.

### Custom Panels

The appliance is designed to be customised with panels in line with the kitchen cabinet aesthetics. For the dimensions of custom panels, refer to the diagram and the indications below:

Door panel: 2029 mm x 451mm

Maximum panel weight permitted: 9.5 kg

The central part of the door is fitted with glass to enable to view inside the product.

Provide for a door panel with a central area unloaded with respect to the edges as indicated below:

Upper: 779.5 mm

Lower: 238 mm

Side: 80.5 mm

Toe kick: 702 mm x 603 mm

The Signature Kitchen Suite handles, in brushed aluminium, in the medium or long version, can be purchased separately as an accessory .

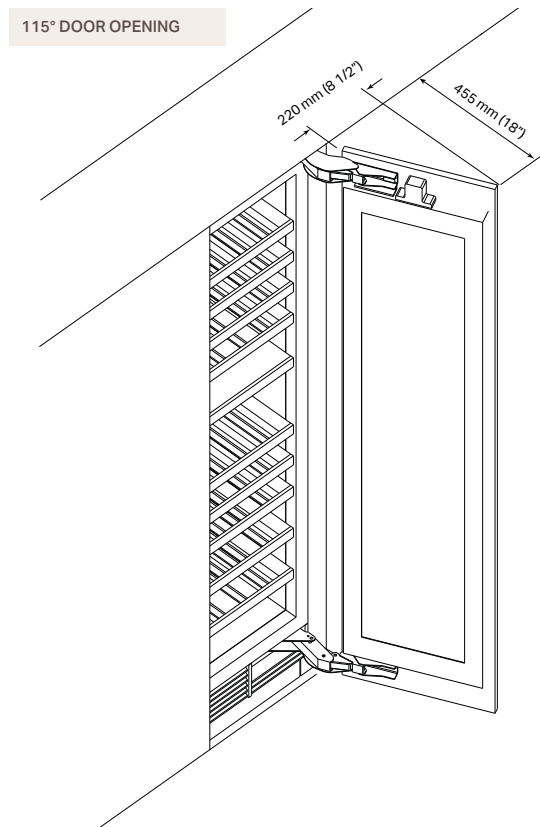
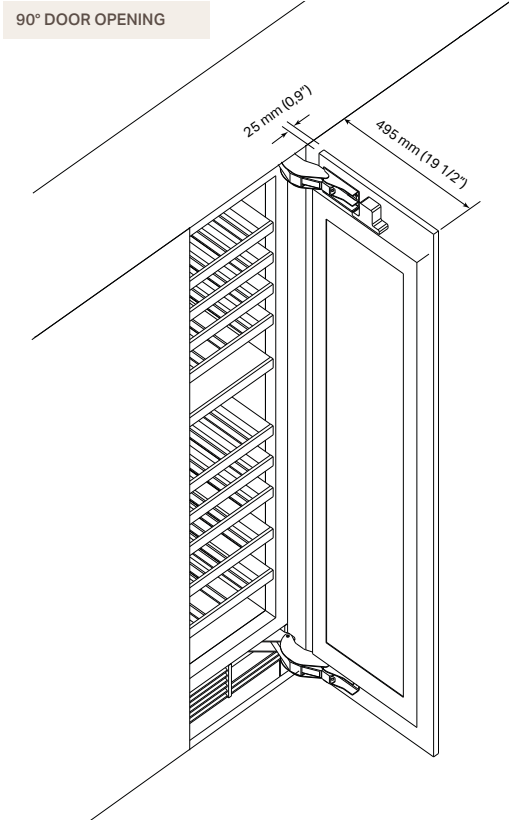
**SKSHK310HS: Medium handles for custom panels**

805 mm (31 11/16") Medium handle – Brushed aluminium

**SKSHK480HS: Long handles for custom panels**

1219 mm (48") Long handle – Shiny brushed aluminium

Installation Notes



Door clearances with flush installation

The installation must allow for clearances to adjacent walls or cabinets. The factory-set door opening is 115° and can subsequently be adjusted to 90° provided the clearances for opening at 115° are not sufficient.

ATTENTION

The clearance dimensions highlighted in the diagrams DO NOT include the depth of the handles, which must be added to these dimensions in case of a custom extended handle.

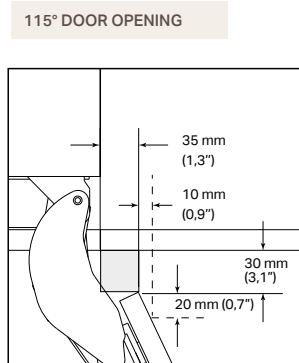
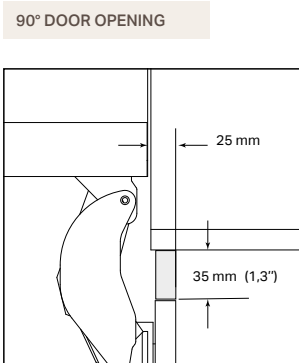
When using the Signature Kitchen Suite with brushed aluminium handles, the side clearances change as shown:

90° door

Side clearance from 25 mm to 95 mm

115° door

Side clearance from 290 mm to 360 mm



Useful spaces for placing the handle on adjacent cabinets

In case of installation with door opening at 90° for potential placement of a extended handle on the side next to the Column freezer 18", a handle with a maximum height of 35 mm with respect to the external edge of the panel can be applied for the first 25 mm.

In case of installation with door opening at 115° for potential placement of a extended handle on the side next to the Column freezer 18", a handle with a maximum height of 30 mm with respect to the external edge of the panel can be applied for the first 35 mm.

The appliance includes the possibility of inverting the hinge side and therefore the door opening side. Even in the event of door reversal, the clearances remain the same as previously indicated.

A handle can be applied with a 20 mm increment in length for every additional 10 mm increment in distance from the flush cabinet.