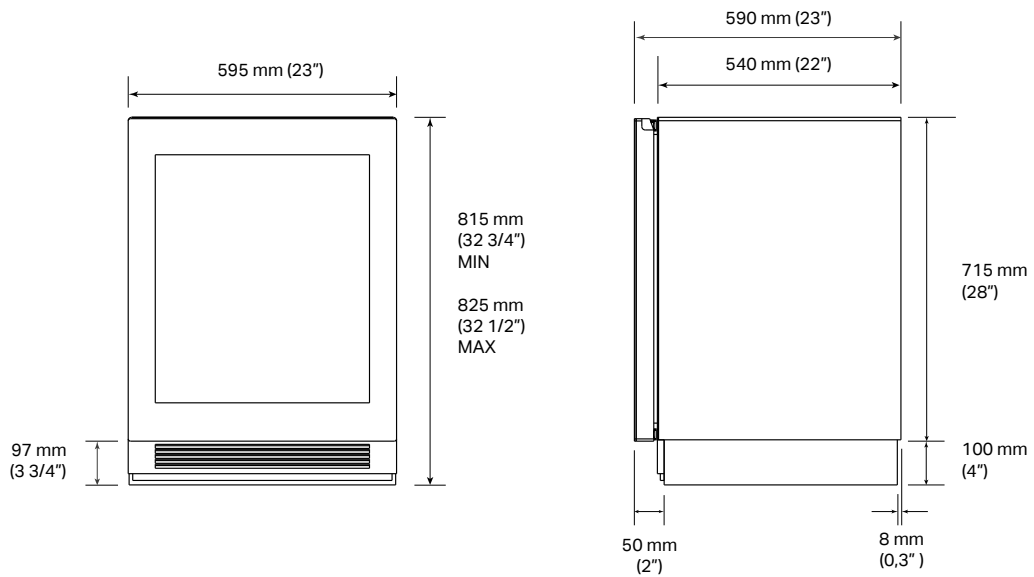


SKSUW2401G

# Undercounter wine cellar



FRONT VIEW

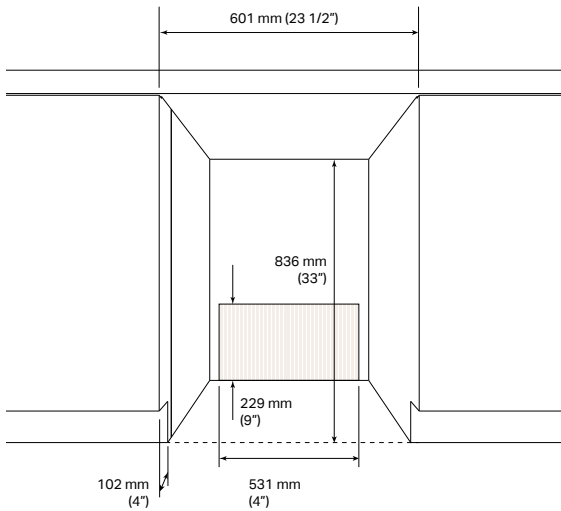
SIDE VIEW

## SKSUW2401G

<b>Model</b>	EAN: 8806091740960
<b>Door type (non-reversible)</b>	Glass
<b>Hinges</b>	Plat
<b>Internal finish</b>	Stainless steel
<b>Energy Label</b>	
<b>Energy efficiency class</b>	D
<b>Bottle Capacity (750 ml)</b>	41
<b>Maximum sound level</b>	< 37 dbA Max
<b>General properties</b>	
<b>No-Frost</b>	•
<b>Inverter compressor</b>	•
<b>Wi-Fi enabled for SmartThinQ® control with iOS/Android app</b>	•
<b>Wine Cave Technology™</b>	•
<b>Temperature zones</b>	2
<b>Operating temperatures</b>	from 5°C to 18°C
<b>Functions that can be enabled from the control panel</b>	Demo, Power On / Off, Light On / Off, Lock, Temp Control, Smart Diagnosis™, Wi-Fi
<b>Humidity Control</b>	•
<b>High Altitude Compatibility</b>	•
<b>Anti-vibration motor</b>	•
<b>UV Protection</b>	•
<b>Storage shelves</b>	4
<b>Shelf material</b>	Natural beech wood with stainless steel profiles
<b>Presenter Shelves</b>	•
<b>True-View® Lighting</b>	•
<b>Presenter Shelf Lighting</b>	•
<b>Installation</b>	
<b>Four Point Front Adjustable with 4 Wheels</b>	•
<b>Attachment method to cabinetry</b>	Top with no visible screws
<b>Front Serviceable</b>	•
<b>Anti-tip Bracket Included</b>	•
<b>Reversible Door</b>	NO
<b>Technical Specifications</b>	
<b>Overall width</b>	595 mm (23 1/2")
<b>Overall height</b>	815 mm (32") MIN ~ 825 mm (32 1/2") MAX
<b>Overall depth</b>	590 mm (23")
<b>Net weight</b>	67 kg
<b>Shipping weight</b>	71 kg
<b>Max packaged product dimensions</b>	970x650x650 mm (38"x25"x25")

# SKSUD2402P

## Installation Notes



 ELECTRICAL CONNECTION

### Electrical

230V, 50Hz, 15 or 20° power supply required. It is recommended to set up a three-prong receptacle recessed into the wall and properly earthed, equipped with an individual circuit.

### Visible area

The indicated area (102 mm) is visible once the refrigerator doors are opened, this area should be finished on both sides.

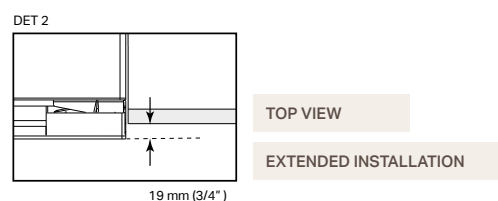
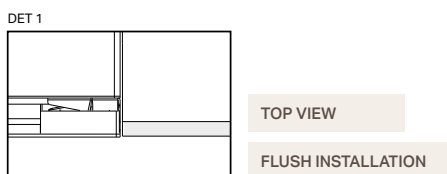
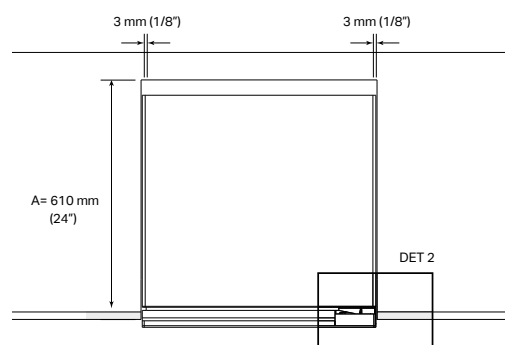
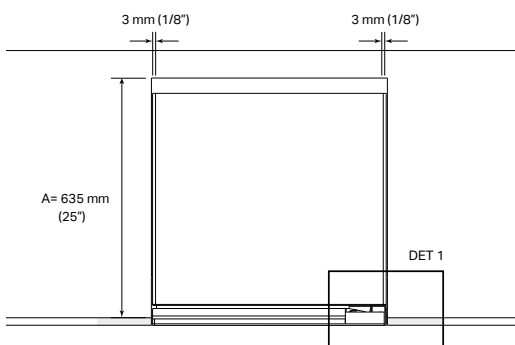
### ATTENTION

Should you plan on placing the electrical connection not in the rear part of the cabinet where the product is installed, but outside it, the product can be installed the front edge, in a cabinet with a reduced depth of 605 mm.

### NOTES

The product can also be placed at a column height. The product can be installed in a column with the undercounter refrigerator (however dividing the two products with a support shelf).

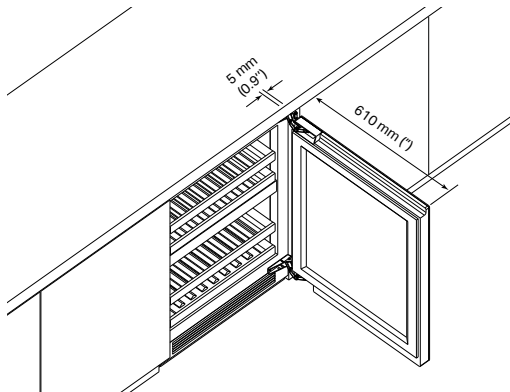
## Flush or extended installation



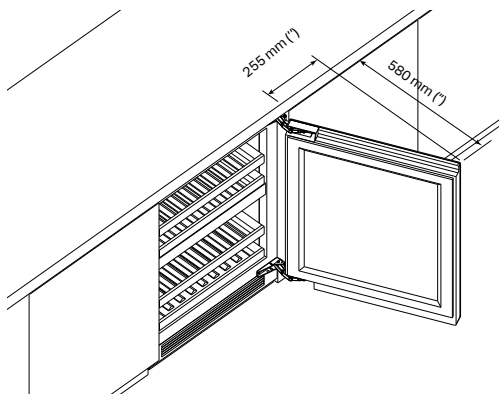
## SKSUD2402P

### Door clearances with flush installation

UPPER DRAWER OPENING



LOWER DRAWER OPENING



### Door clearances with flush installation

The installation must allow for clearances to adjacent walls or cabinets.

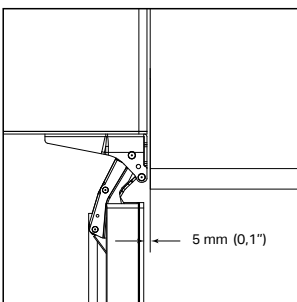
The factory-set door opening is 115° and can subsequently be adjusted to 90° provided the clearances for opening at 115° are not sufficient.

#### ATTENTION

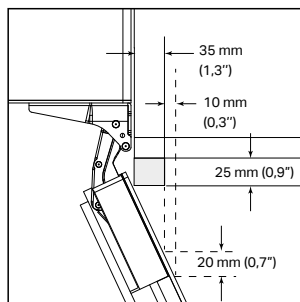
The appliance does NOT include the possibility of inverting the hinge side and therefore the door opening side. Even in the event of door reversal, the clearances remain the same as previously indicated.

### Installation Notes

90° DOOR OPENING



115° DOOR OPENING



### Useful spaces for placing the handle on adjacent cabinets

In case of installation with 90° door opening, the product door is 5 mm away from the adjacent cabinet.

In case of installation with door opening at 115° for potential placement of an extended handle on the side next to the refrigerator, a handle with a maximum height of 25 mm with respect to the external edge of the panel can be applied for the first 35 mm.

A handle can be applied with a 20 mm increment in length for every additional 10 mm increment in distance from the flush cabinet.