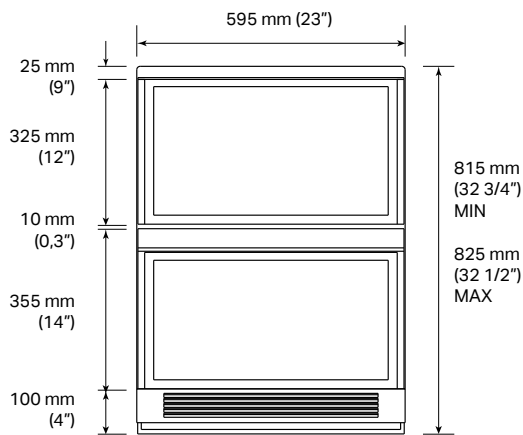


SKSUD2402P

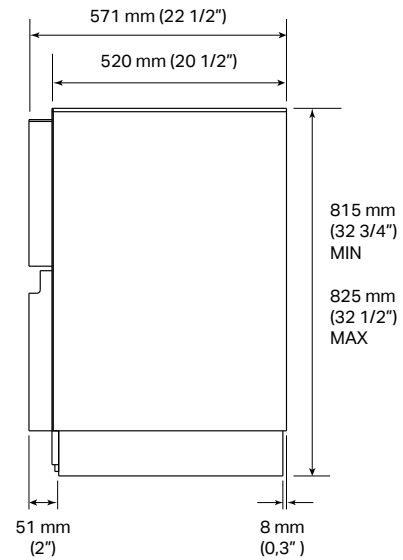
Undercounter convertible refrigerator



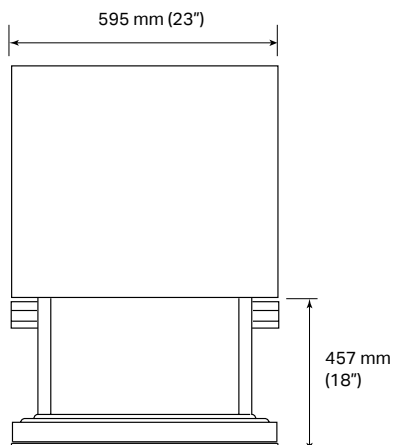
FRONT VIEW



SIDE VIEW



TOP VIEW

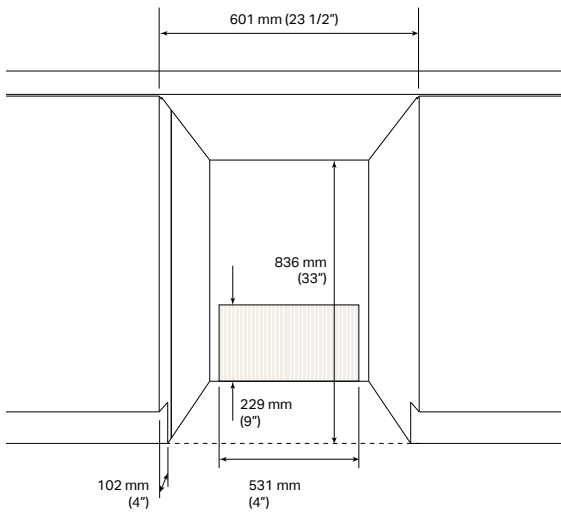


SKSUD2402P

Model	EAN: 8806091740946
Door type	Panel ready
Internal finish	Stainless steel
Energy Label	
Energy efficiency class	F
Net total capacity	89 L
Net refrigerator capacity	43
Net freezer capacity	46
Maximum sound level	< 37 dbA Max
General properties	
ENERGY STAR® Qualified	•
No-Frost	•
Inverter compressor	•
Wi-Fi enabled for SmartThinQ® control with iOS/Android app	•
Automatic Adaptive Defrost	•
Modes	Freezer (-23 C° to -15 C°), Meat (-3 C°), Seafood (1 C°), Bar (1 C°), Refrigerator (2°C to 7 C°), Pantry (10 C°)
Speed Freeze	•
True-View® Lighting	•
Digital Controls w/ White LED Display	•
Operating temperatures	Upper drawer: from -3°C to 10°C Lower drawer: from -23°C to 10°C
Installation	
Reversible Door	•
Four Point Front Adjustable with 4 Wheels	•
Attachment method to cabinetry	Top with no visible screws
Front Serviceable	•
Anti-tip Bracket Included	•
Technical Specifications	
Overall width	595 mm (23")
Overall height	815 mm (32 1/2") MIN ~ 825 mm (32 1/2") MAX
Overall depth	571 mm (22 1/2")
Net weight	65 kg
Shipping weight	69 kg
Max packaged product dimensions	970x650x650 mm (38"x25"x25")
Accessories	
Steel doors kit	SKSUK240DS

SKSUD2402P

Installation Notes



 ELECTRICAL CONNECTION

Electrical

230V, 50Hz, 15 or 20° power supply required. It is recommended to set up a three-prong receptacle recessed into the wall and properly earthed, equipped with an individual circuit.

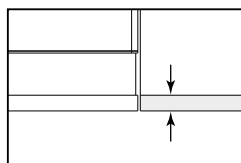
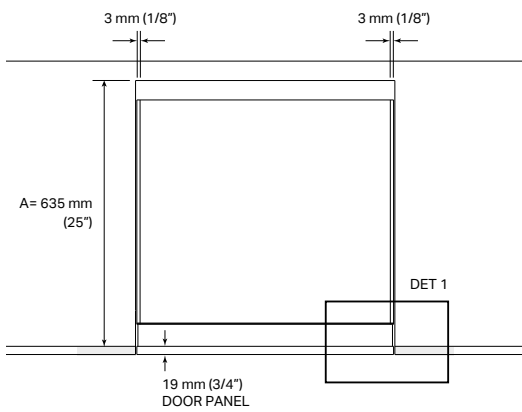
Visible area

The indicated area (102 mm) is visible once the refrigerator doors are opened, this area should be finished on both sides.

ATTENTION

Should you plan on placing the electrical connection outside the rear part of the cabinet where the product is installed, the product can be installed flush with the front, in a cabinet with a reduced depth of 605 mm.

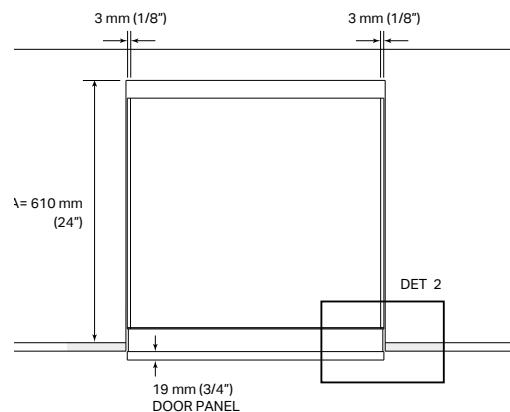
Flush or extended installation



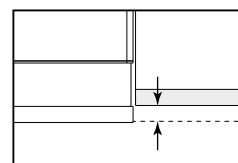
TOP VIEW

FLUSH INSTALLATION

19 mm (3/4")



DET 2



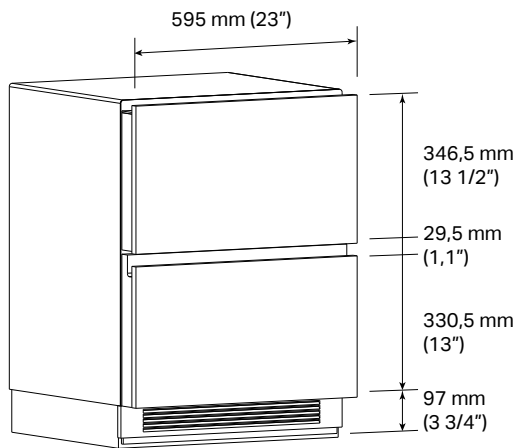
TOP VIEW

EXTENDED INSTALLATION

19 mm (3/4")

SKSUD2402P

Custom panels



Panel options

SKSUK240DS: Stainless steel panel kit

The appliance can be panelled with the optional Signature Kitchen Suite stainless steel door kit. The kit includes a panel for the upper drawer and one of different height for the lower one.

Custom Panels

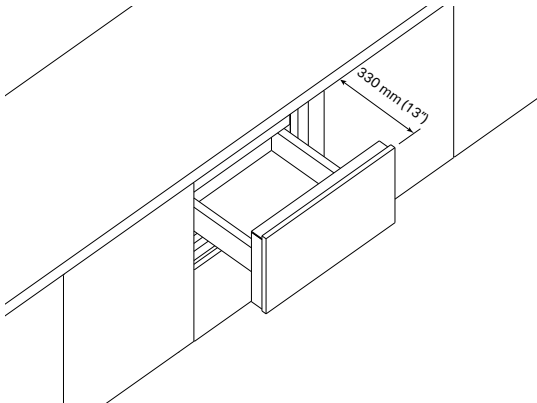
The appliance is designed to be customised with panels in line with the kitchen cabinet aesthetics. For the dimensions of custom panels, refer to the diagram and the indications below:

Upper drawer panel - 595mm x 346.5mm

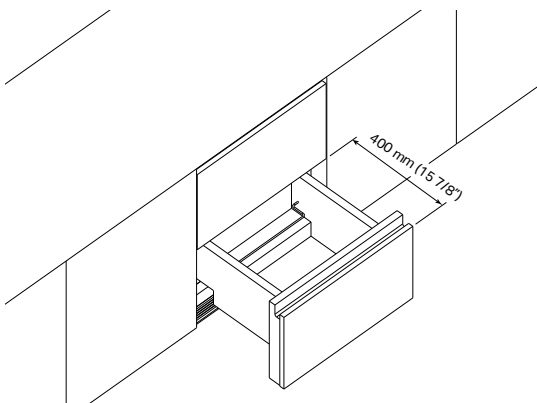
Lower drawer panel - 595mm x 330.5mm

Door clearances with extended installation

UPPER DRAWER OPENING



LOWER DRAWER OPENING



Door clearances with flush installation

The installation must allow for clearances with respect to opposite cabinets.

The values indicated below refer to the mobile edge outside the door including the aesthetic panel, with drawer fully extracted:

Lower drawer: 400 mm

Upper drawer: 330 mm